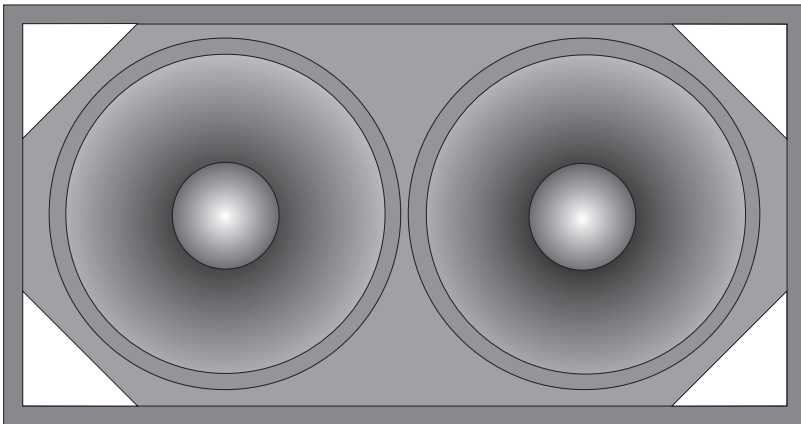
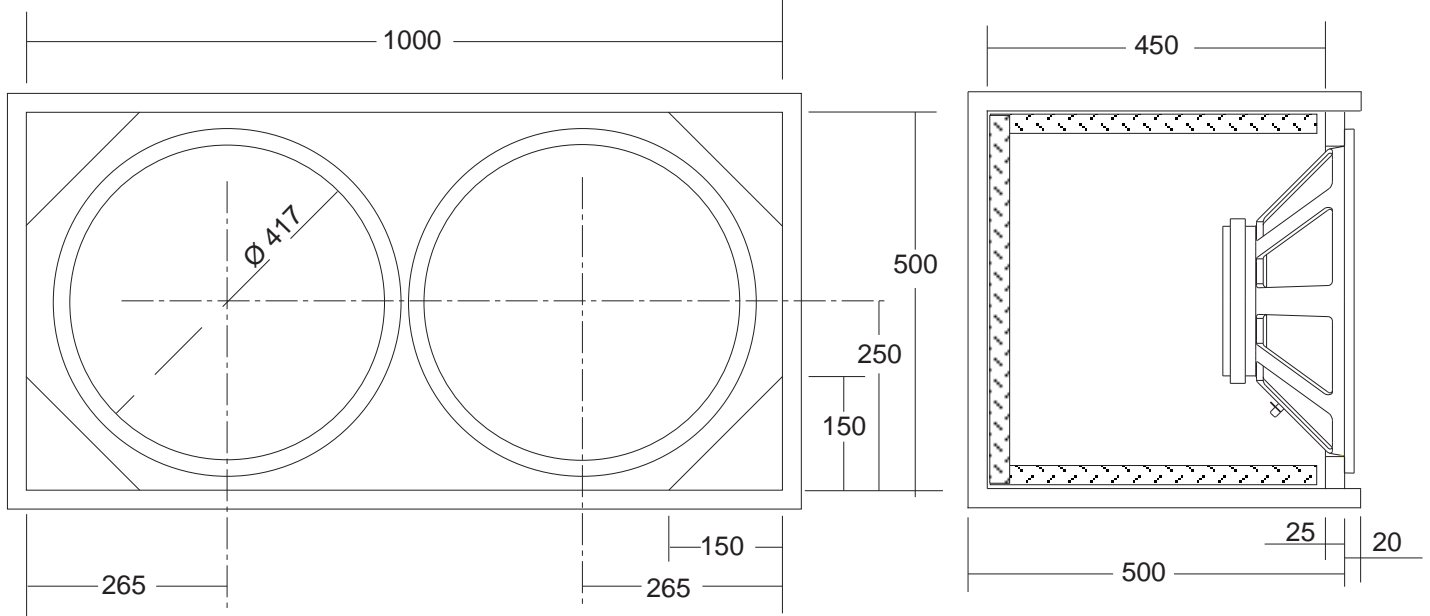


# BR031 BASS REFLEX BOX



## COMPONENTS

L F (n°2) parallel	18.75 W	18.00 W3
Max Power	1600 W	2000 W
Nominal Power	800 W	1000 W
Impedance	4 Ω	

## SPECIFICATIONS

Sensitivity 1W/1m	:	105	dB
Net volume Vb	:	200	dmc
Tuning Frequency Fb	:	55	Hz
Frequency range	:	20 ÷ 500	Hz

FREQUENCY RESPONSE 18.75 W (1W/1m)

